

DH-IPC-HUM4001

1 Megapixel Pinhole Network Camera



Features

- 1/4" 1 Megapixel progressive scan CMOS
- H.264&MJPEG dual-stream encoding
- Max 25/30fps@1.0MP (1280×720)
- Day/Night(Electronic), 3DNR, AWB,AGC,BLC
- 3.6mm fixed lens

DH-IPC-HUM4001

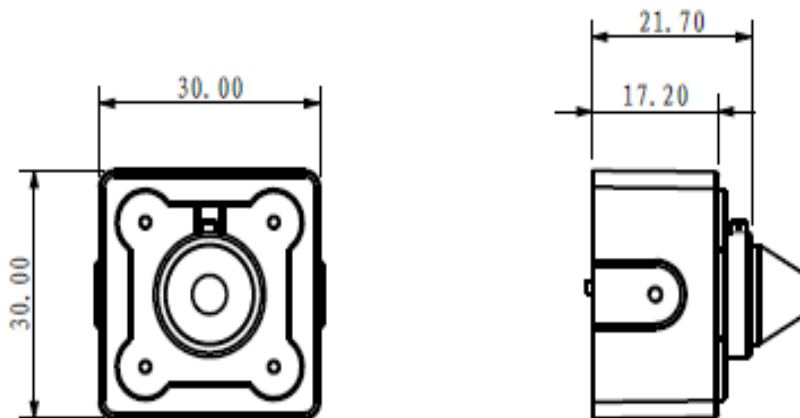
Technical Specifications

| | | |
|---------------------------------|---|----------------------|
| Model | DH-IPC-HUM4001 | |
| Camera | | |
| Image Sensor | 1/4" 1 Megapixel progressive scan CMOS | |
| Effective Pixels | 1280(H)x720(V) | |
| Scanning System | Progressive | |
| Electronic Shutter Speed | Auto/Manual, 1/3(4)~1/100000s | |
| Min. Illumination | 0. 01Lux/F1.2 (Color), 0.001Lux/F1.2(B/W) | |
| S/N Ratio | More than 50dB | |
| Video Output | N/A | |
| Camera Features | | |
| Max. IR LEDs Length | N/A | |
| Day/Night | Auto(Electronic)/Color/B/W | |
| Backlight Compensation | BLC / HLC/WDR(100dB) | |
| White Balance | Auto/Manual | |
| Gain Control | Auto/Manual | |
| Noise Reduction | 3D | |
| Privacy Masking | Up to 4 areas | |
| Lens | | |
| Focal Length | 3.6mm | |
| Max Aperture | F2.8 | |
| Focus Control | Manual | |
| Angle of View | 72° | |
| Lens Type | Fixed lens | |
| Mount Type | Board-in Type | |
| Video | | |
| Compression | H.264H/H.264B/MJPEG | |
| Resolution | 720P(1280×720)/ D1(704×576/704×480) /CIF(352×288/352×240) | |
| Frame Rate | Main Stream | 720P(1 ~ 25/30fps) |
| | Sub Stream | D1/CIF(1 ~ 25/30fps) |
| Bit Rate | 16K ~ 10Mbps | |
| Audio | | |
| Compression | N/A | |
| Interface | N/A | |
| Smart Function(Optional) | | |
| Smart detection | Tripwire | |
| | Intrusion | |
| | Face detect | |
| Network | | |
| Ethernet | RJ-45 (10/100Base-T) | |
| Wi-Fi | N/A | |
| Protocol | HTTP;TCP;ARP;RTSP;RTP;UDP;RTCP;SMTP;FTP;DHCP;DNS;DDNS;PP POE;IPv4/v6;SNMP;QoS;UPnP;NTP | |

DH-IPC-HUM4001

| | |
|---------------------|-------------------------------|
| Compatibility | ONVIF, PSIA, CGI |
| Max. User Access | 20 users |
| General | |
| Power Supply | DC12V |
| Power Consumption | <2.4W |
| Working Environment | -30°C~+60°C, Less than 95% RH |
| Ingress Protection | N/A |
| Dimensions | 30mm×30mm×21.7mm |
| Weight | 50g |

Dimensions (mm)



Dahua Technology Co., Ltd.

1199 BinAn Road, Binjiang District, Hangzhou, China

Tel: +86-571-87688883

Fax: +86-571-87688815

Email: overseas@dahuatech.com

www.dahuatech.com

*Design and specifications are subject to change without notice.

© 2014 Dahua Technology Co., Ltd.